

# AMP NETCONNECT Cable Management



One of the major challenges facing cabling installers and maintenance personnel is organizing distribution cables and patch cords in the telecommunications room. AMP NETCONNECT cable management products will help ensure that your racks are well organized and maintained from the day they're installed through the last move, add or change.

- Cable management accessories for EIA standard 19-inch equipment racks
- Suitable for high-performance twisted pair and optical fiber distribution cables and patch cords
- Horizontal and vertical finger duct panels available in single- and double-sided versions
- D-ring style panels and vertical managers
- “Towel bar” cable support bars
- Racks and shelves manufactured from durable heavy gauge steel for strength and reliability
- Durable, attractive powder coat finish eliminates edge burrs for enhanced appearance and safety
- Racks have front and rear threaded mounting holes



## Horizontal Finger Duct Panels



### Double-Sided Panels

Panel Height	Front (H x D)	Rear (H x D)	Part Number
1.75"	1.5" x 2"	1" x 4"	1375160-1
1.75"	1.5" x 3"	1" x 4"	1375159-1
3.5"	3" x 3"	2" x 4"	1375158-1



### Single-Sided Panels

Panel Height	Front (H x D)	Part Number
1.75"	1.5" x 2"	1375161-1
1.75"	1.5" x 3"	1375162-1
3.5"	3" x 3"	1375163-1

## Vertical Finger Duct Panels



### Double-Sided Panels

<u>Side Mount</u>			
Panel Height	Front (W x D)	Rear (W x D)	Part Number
35"	4" x 5"	4" x 5"	1375164-1
78"	4" x 5"	4" x 5"	1375257-1

Center Mount (mounting flanges on both sides to straddle two racks)

Panel Height	Front (W x D)	Rear (W x D)	Part Number
35"	4" x 5"	4" x 5"	1375166-1
78"	4" x 5"	4" x 5"	1375259-1



### Single-Sided Panels

<u>Side Mount</u>		
Panel Height	Front (W x D)	Part Number
35"	4" x 5"	1375165-1
78"	4" x 5"	1375258-1

Center Mount (mounting flanges on both sides to straddle two racks)

Panel Height	Front (W x D)	Part Number
35"	4" x 5"	1375167-1
78"	4" x 5"	1375260-1

# Cable Management

## Cable Management Panels



Description	Part Number
1U (1.75") Management Panel	558329-1



Description	Part Number
2U (3.5") Management Panel	558331-1

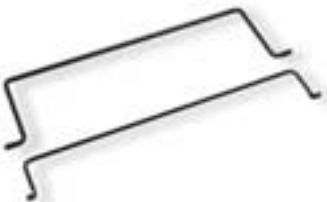
## Cable Management Rings



Description	Part Number
Single Vertical Management Ring	558334-1
Double Vertical Management Ring	406498-1



## Cable Support Bars



Description	Part Number
Mounts to back of rack, 5" deep	557548-1
Mounts to back of rack, 2" deep	406042-1
Mounts to rear of cable management panels, part numbers 558329-1 and 558331-1	558301-1
Mounts to rear of 110Connect patch panels	569590-1

# AMP NETCONNECT Cable Management

## 19-Inch Racks and Accessories



- Heavy-duty steel construction
- Easy assembly
- Durable powder coat finish
- Standard mounting hole pattern
- Fasteners included (12-24 screws)
- Mounting holes threaded front and rear

Description	Part Number
72-Inch Rack	1435045-1
84-Inch Rack	1435046-1

## Shelves



- Mount in standard 19-inch equipment racks
- Heavy-duty steel construction
- Durable powder coat finish
- Fastening hardware included
- Optional ventilation for improved air flow

Description	Part Number
1U Stationary Shelf, Black	1435047-1
2U Stationary Shelf, Black	1435048-1
2U Stationary Shelf, Ventilated, Black	1435049-1
1U Pullout Shelf, Black	1435053-1
1U Pullout Shelf, Ventilated, Black	1435054-1



# AMP NETCONNECT Cable Management

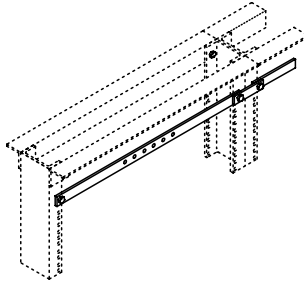
## Grounding Bar Kit



- Provides continuity from rack to rack
- Includes ground bar, splice bar and mounting hardware

Description	Part Number
Grounding Bar Kit	1435058-1

Note: Grounding requirements may vary. Always consult local regulations to assure compliance.

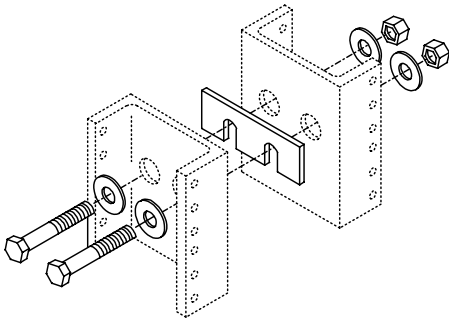


## Rack Alignment Kit



- Used to align two racks mounted side-by-side

Description	Part Number
Rack Alignment Kit	1435059-1



# AMP NETCONNECT Cable Management

## Velcro® Cable Ties



Description	Part Number
1" x 8" (pkg of 10)	1375253-X
1" x 12" (pkg of 10)	1375254-X
5/8" x 5 yards	1375255-X
1" x 12" Flame Retardant*	1375256-2

X denotes color: -2 = Black, -3 = White, -4 = Gray, -5 = Orange, -6 = Blue, -7 = Red, -8 = Yellow, -9 = Green, 1 - -0 = Violet

\*Complies with NEC 300-22(c) and (d) for use in environmental air handling spaces.

## AMP-TY Nylon Cable Ties



Dimensions			Color	Minimum Tensile Strength	Maximum Bundle Diameter	Package Quantity	Part Number
Length	Width	Thickness					
4" <i>103.0</i>	.096" <i>2.44</i>	.037" <i>.94</i>	Natural	18 lbs 80.1 N	.75 19.1	1000	2-604771-9
			Black			1000	2-604771-0
			Natural			100	1-604771-9
			Black			100	1-604771-0
6" <i>155.0</i>	.140" <i>3.56</i>	.045" <i>1.14</i>	Natural	30 lbs 133.5 N		1000	2-603227-9
			Black			1000	2-603227-0
			Natural			100	1-603227-9
			Black			100	1-603227-0
8" <i>204.0</i>	.184" <i>4.67</i>	.047" <i>1.19</i>	Natural	50 lbs 222.5 N	1.75 44.45	1000	2-604772-9
			Black			1000	2-604772-0
			Natural			100	1-604772-9
			Black			100	1-604772-0
12" <i>300.0</i>	.183" <i>4.65</i>	.051" <i>1.30</i>	Natural	50 lbs 222.5 N	3.0 76.2	1000	2-604751-9
			Black			1000	2-604751-0
			Natural			100	1-604751-9
			Black			100	1-604751-0

Note: Italics denotes millimeter dimension.

In the U.S. 1-800-553-0938  
 Canada 905-475-6222  
 Mexico 525-729-0400  
 South and Central Americas 54-11-4733-2200  
[www.ampnetconnect.com](http://www.ampnetconnect.com)  
 e-mail: [networking.help@tycoelectronics.com](mailto:networking.help@tycoelectronics.com)

©Copyright 2001 Tyco Electronics Corporation. All rights reserved.  
 AMP, AMP NETCONNECT, AMP-TY, NETCONNECT and Tyco are trademarks.  
 Velcro is a trademark of Velcro Industries B.V.

1308359-Rev.1-15M-MLHC-HA-2/01 Printed in USA

**tyco**  
 Electronics

**AMP**  
 NETCONNECT